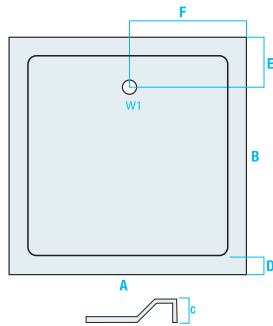


SQUARE SHOWER TRAYS

TECHNICAL SPECIFICATIONS

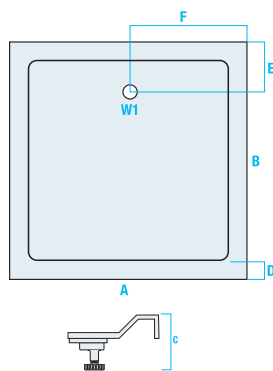
LOW PROFILE FLAT TOP TRAY



Size mm	Code	Mat	Waste Position	Waste Size	A	B	C	D	E	F
760x760	1BA	ABS	W1	90	766	766	45	65	190	383
800x800	1BC	ABS	W1	90	806	806	45	65	190	403
900x900	1BE	ABS	W1	90	906	906	45	65	190	453
1000x1000	1BG	ABS	W1	90	1006	1006	45	65	190	503



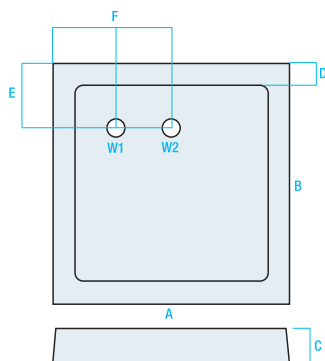
LOW PROFILE FLAT TOP EASY-PLUMB TRAY



Size mm	Code	Mat	Waste Position	Waste Size	A	B	C	D	E	F	Feet	Panel
760x760	1BB	ABS	W1	90	766	766	140	65	190	383	4	2
800x800	1BD	ABS	W1	90	806	806	140	65	190	403	4	2
900x900	1BF	ABS	W1	90	906	906	140	65	190	453	4	2
1000x1000	1BH	ABS	W1	90	1006	1006	140	65	190	503	4	2



FLAT TOP TRAY



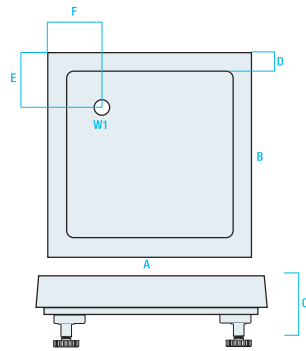
Size mm	Code	Mat	Waste Position	Waste Size	A	B	C	D	E	F
700x700	5AA	S/R	W1	STD	700	700	110	60	190	190
760x760	7HA	S/R	W1	STD	750	750	80	60	175	175
760x760	75A	S/R	W2	STD	760	760	55	60	155	380
760x760	75B	S/R	W1	STD	760	760	55	50	125	125
760x760	31A	S/R	W1	STD	760	760	110	40	160	160
760x760	5BA	S/R	W1	STD	760	760	110	60	200	200
760x760	1AA	ABS	W1	STD or 90	760	760	95	60	190	190
800x800	71A	S/R	W1	STD	790	790	80	60	175	175
800x800	32A	S/R	W1	STD	760	760	110	40	160	160
800x800	5CA	S/R	W1	STD	800	800	80	80	205	205
800x800	1AC	ABS	W1	STD or 90	800	800	95	60	190	190
900x900	33A	S/R	W1	STD	900	900	110	40	160	160
900x900	5DA	S/R	W1	STD	900	900	110	60	200	200
900x900	1AE	ABS	W1	STD or 90	900	900	95	60	190	190
1000x1000	5KA	S/R	W1	STD	1000	1000	110	60	195	195
1200x1200	5RA	S/R	W3	STD TWIN	1190	1190	110	60	185	595



SQUARE SHOWER TRAYS

TECHNICAL SPECIFICATIONS

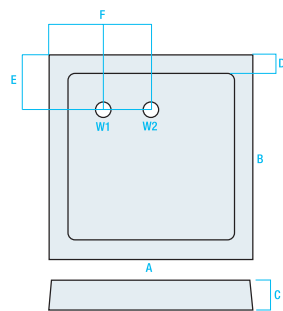
FLAT TOP EASY-PLUMB TRAY



Size mm	Code	Mat	Waste Position	Waste Size	A	B	C	D	E	F	Feet	Panels
760x760	2CA	ABS	W1	STD or 90	760	760	190	60	190	190	4	2
800x800	2CC	ABS	W1	STD or 90	800	800	190	60	190	190	4	2
900x900	2CE	ABS	W1	STD or 90	900	900	190	60	190	190	4	2



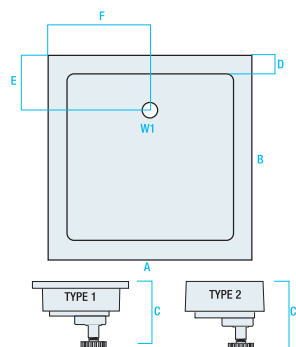
TILING UPSTAND TRAY



Size mm	Code	Mat	Waste Position	Waste Size	A	B	C	D	E	F	Ups
760x760	3AA	S/R	W2	STD	760	760	95	65	160	380	4
760x760	2BA	ABS	W1	STD	760	760	105	60	170	170	4
800x800	3BA	S/R	W2	STD	800	800	95	65	170	400	4
800x800	2BC	ABS	W1	STD	800	800	105	60	170	170	4
900x900	3DA	S/R	W2	STD	900	900	95	65	175	450	4
900x900	2BE	ABS	W1	STD	900	900	105	60	170	170	4



EASY-PLUMB TRAY WITH TILING UPSTANDS



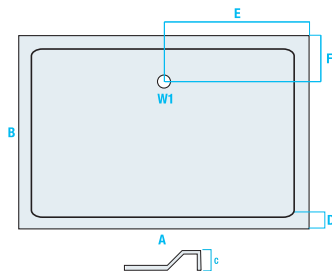
Size mm	Code	Mat	Waste Position	Waste Size	A	B	C	D	E	F	Ups	Feet	Type	Panels
760x760	6AA	S/R	W1	STD	760	760	190	65	160	380	4	4	2	2
760x760	441	ABS	W1	STD	760	760	216	50	120	380	4	4	1	2
800x800	6BA	S/R	W1	STD	800	800	190	65	170	400	4	4	2	2
800x800	44D	ABS	W1	STD	800	800	216	50	120	400	4	4	1	2
900x900	6DA	S/R	W1	STD	900	900	190	65	175	450	4	4	2	2
900x900	44P	ABS	W1	STD	900	900	216	50	120	450	4	4	1	2



RECTANGULAR SHOWER TRAYS

TECHNICAL SPECIFICATIONS

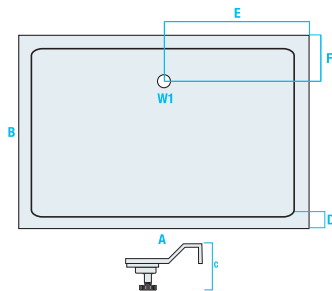
LOW PROFILE FLAT TOP TRAY



Size mm	Code	Mat	Waste Position	Waste Size	A	B	C	D	E	F
900x760	1BI	ABS	W1	90	906	766	45	65	190	453
900x800	1BK	ABS	W1	90	906	806	45	65	190	453
1000x800	1BM	ABS	W1	90	1006	806	45	65	190	503
1100x800	1BO	ABS	W1	90	1106	806	45	65	190	553
1200x760	1BQ	ABS	W1	90	1206	766	45	65	190	603
1200x800	1BS	ABS	W1	90	1206	806	45	65	190	603
1200x900	1BU	ABS	W1	90	1206	906	45	65	190	603
1400x900	1BW	ABS	W1	90	1406	906	45	65	190	703



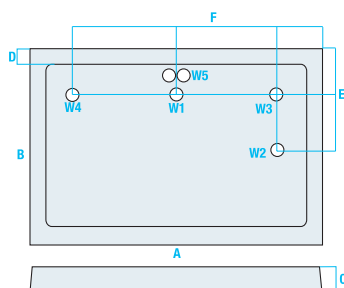
LOW PROFILE EASY-PLUMB TRAY



Size mm	Code	Mat	Waste Position	Waste Size	A	B	C	D	E	F	Feet	Panels
900x760	1BJ	ABS	W1	90	906	766	140	65	190	453	4	2
900x800	1BL	ABS	W1	90	906	806	140	65	190	453	4	2
1000x800	1BN	ABS	W1	90	1006	806	140	65	190	503	4	2
1100x800	1BP	ABS	W1	90	1106	806	140	65	190	553	6	2
1200x760	1BR	ABS	W1	90	1206	766	140	65	190	603	6	2
1200x800	1BT	ABS	W1	90	1206	806	140	65	190	603	6	2
1200x900	1BV	ABS	W1	90	1206	906	140	65	190	603	6	2
1400x900	1BX	ABS	W1	90	1406	906	140	65	190	703	6	2



FLAT TOP TRAY



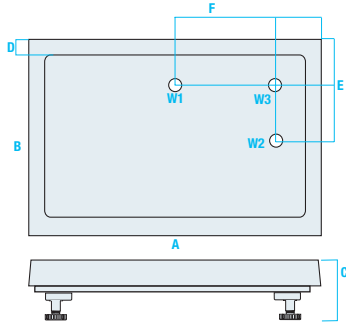
Size mm	Code	Mat	Waste Position	Waste Size	A	B	C	D	E	F
900x700	5EA	S/R	W4	STD	885	685	110	60	185	700
900x760	5FA	S/R	W3	STD	900	760	110	60	195	195
900x800	5GA	S/R	W3	STD	895	795	110	60	190	190
1000x700	5HA	S/R	W3	STD	1000	700	110	60	185	185
1000x760	5IA	S/R	W3	STD	1000	760	110	60	170	170
1000x800	34A	S/R	W1	STD	1000	800	110	40	160	500
1000x800	5JA	S/R	W1	STD	1000	800	110	60	200	500
1000x900	7JA	S/R	W1	STD	1000	900	110	60	200	500
1100x760	5LA	S/R	W1	STD	1100	760	110	60	190	550
1100x800	5MA	S/R	W1	STD	1090	750	110	60	190	545
1100x900	7KA	S/R	W1	STD	1100	900	110	65	200	550
1200x700	5NA	S/R	W1	STD	1200	700	110	60	190	600
1200x760	35A	S/R	W1	STD	1200	760	110	40	160	600
1200x760	50A	S/R	W1	STD	1200	760	110	60	190	600
1200x760	1AG	ABS	W2	STD or 90	1200	760	95	60	380	190
1200x800	5PA	S/R	W1	STD	1200	800	110	60	190	600
1200x800	1AI	ABS	W2	STD or 90	1200	800	95	60	400	190
1200x900	5QA	S/R	W1	STD	1200	900	110	60	185	600
1200x900	1AK	ABS	W2	STD or 90	1200	900	95	60	450	190
1400x700	70A	S/R	W1	STD	1400	700	110	60	200	700
1400x800	7FA	S/R	W1	STD	1400	800	75	60	190	700
1400x900	5SA	S/R	W1	STD	1400	900	110	60	185	700
1400x1000	5TA	S/R	W5	STD TWIN	1400	1000	110	60	190	700
1500x800	7GA	S/R	W1	STD	1500	800	75	60	190	750
1500x900	6UA	S/R	W1	STD	1490	890	110	60	190	745
1600x800	5UA	S/R	W5	STD TWIN	1600	800	110	60	190	800
1700x750	5XA	S/R	W4	STD	1700	760	110	60	190	1510



RECTANGULAR SHOWER TRAYS

TECHNICAL SPECIFICATIONS

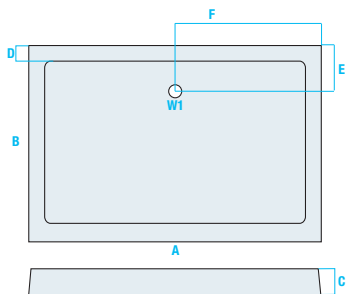
FLAT TOP EASY-PLUMB TRAY



Size mm	Code	Mat	Waste Position	Waste Size	A	B	C	D	E	F	Feet	Panels
900x760	5FR	S/R	W3	STD	900	760	205	60	195	195	4	2
900x800	5GR	S/R	W3	STD	895	795	205	60	190	190	4	2
1000x700	5HR	S/R	W3	STD	1000	700	205	60	185	185	4	2
1000x760	5IR	S/R	W3	STD	1000	760	205	60	170	170	4	2
1000x800	5JR	S/R	W1	STD	1000	800	205	60	200	500	4	2
1000x900	7JR	S/R	W1	STD	1000	900	190	60	200	500	4	2
1100x760	5LR	S/R	W1	STD	1100	760	205	60	190	550	6	2
1100x800	5MR	S/R	W1	STD	1090	750	205	60	190	545	6	2
1100x900	7KR	S/R	W1	STD	1100	900	205	65	200	550	6	2
1200x700	5NR	S/R	W1	STD	1200	700	205	60	190	600	6	2
1200x760	2CG	ABS	W2	STD or 90	1200	760	190	60	380	190	6	2
1200x800	2CP	ABS	W2	STD or 90	1200	800	190	60	400	190	6	2
1200x900	2CR	ABS	W2	STD or 90	1200	900	190	60	450	190	6	2
1400x700	7OR	S/R	W1	STD	1400	700	205	60	200	700	6	2
1400x800	7FR	S/R	W1	STD	1400	800	170	60	190	700	6	2
1400x900	5SR	S/R	W1	STD	1400	900	205	60	185	700	6	2



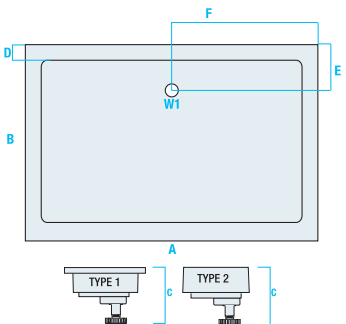
TILING UPSTAND TRAY



Size mm	Code	Mat	Waste Position	Waste Size	A	B	C	D	E	F	Ups
900x760	3CA	S/R	W1	STD	900	760	95	65	180	450	4
900x800	3LA	S/R	W1	STD	900	800	95	65	200	450	4
1000x760	3HA	S/R	W1	STD	1000	760	80	60	170	500	4
1000x800	3NA	S/R	W1	STD	1000	800	80	60	180	500	4
1100x800	3MA	S/R	W1	STD	1100	760	95	65	175	550	4
1100x900	3OA	S/R	W1	STD	1100	900	95	65	200	550	4
1200x760	3EA	S/R	W1	STD	1200	760	95	65	190	600	4
1200x760	2BG	ABS	W1	STD	1200	760	105	60	170	600	4
1200x800	3GA	S/R	W1	STD	1200	800	95	65	170	600	4



EASY-PLUMB TRAY WITH TILING UPSTANDS



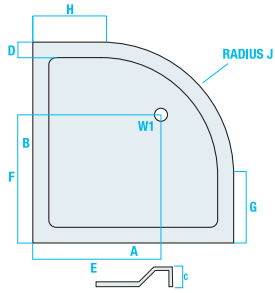
Size mm	Code	Mat	Waste Position	Waste Size	A	B	C	D	E	F	Ups	Feet	Type	Panels
900x760	6CA	S/R	W1	STD	900	760	190	65	185	450	4	4	2	2
900x760	461	ABS	W1	STD	910	770	295	50	385	150	4	4	1	2
900x800	7LA	S/R	W1	STD	900	800	190	65	200	450	4	4	2	2
1000x760	65A	S/R	W1	STD	1000	760	175	60	170	500	4	4	2	2
1000x800	7NA	S/R	W1	STD	1000	800	175	600	180	500	4	4	2	2
1100x800	7MA	S/R	W1	STD	1100	760	190	65	175	550	4	6	2	2
1100x900	6XA	S/R	W1	STD	1100	900	190	65	200	550	4	6	2	2
1200x760	6EA	S/R	W1	STD	1200	760	190	65	190	600	4	6	2	2
1200x760	451	ABS	W1	STD	1200	760	216	50	380	146	4	6	1	2
1200x800	6GA	S/R	W1	STD	1200	800	190	65	170	600	4	6	2	2
1200x800	45D	ABS	W1	STD	1200	800	216	50	400	146	4	6	1	2



QUADRANT SHOWER TRAYS

TECHNICAL SPECIFICATIONS

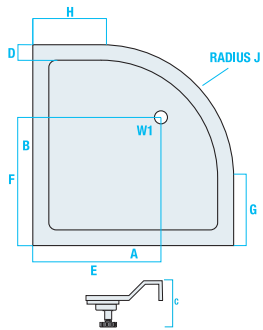
LOW PROFILE FLAT TOP TRAY



Size mm	Code	Mat	Waste Position	Waste Size	A	B	C	D	E	F	G	H	J
800x800	1CA	ABS	W1	90	806	806	45	65	500	500	256	256	550
900x900	1CC	ABS	W1	90	906	906	45	65	600	600	356	356	550
1000x1000	1CE	ABS	W1	90	1006	1006	45	65	700	700	456	456	550



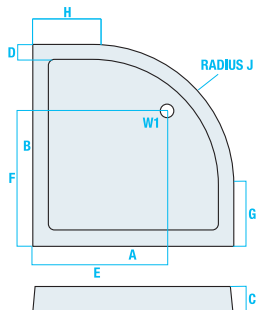
LOW PROFILE EASY-PLUMB TRAY



Size mm	Code	Mat	Waste Position	Waste Size	A	B	C	D	E	F	G	H	J	Feet	Panels
800x800	1CB	ABS	W1	90	806	806	140	65	500	500	256	256	550	6	1
900x900	1CD	ABS	W1	90	906	906	140	65	600	600	356	356	550	6	1
1000x1000	1CF	ABS	W1	90	1006	1006	140	65	700	700	456	456	550	6	1



FLAT TOP TRAY



Size mm	Code	Mat	Waste Position	Waste Size	A	B	C	D	E	F	G	H	J
800x800	2AI	ABS	W1	STD	800	800	90	60	530	530	300	300	500
800x800	62A	S/R	W1	STD	800	800	110	40	525	525	250	250	550
800x800	5ZA	S/R	W1	STD	800	800	110	60	510	510	250	250	550
800x800	1AU	ABS	W1	STD or 90	800	800	95	60	500	500	250	250	550
900x900	63A	S/R	W1	STD	900	900	110	40	625	625	350	350	550
900x900	50A	S/R	W1	STD	900	900	110	60	605	605	350	350	550
900x900	1AS	ABS	W1	STD or 90	900	900	95	60	600	600	350	350	550
1000x1000	68A	S/R	W1	STD	1000	1000	110	40	715	715	450	450	550
1000x1000	68A	S/R	W1	90	1000	1000	110	40	715	715	450	450	550

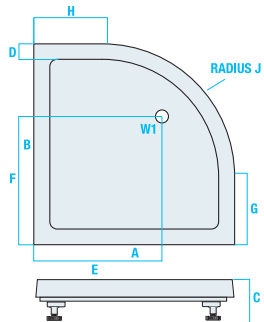


QUADRANT SHOWER TRAYS

TECHNICAL SPECIFICATIONS

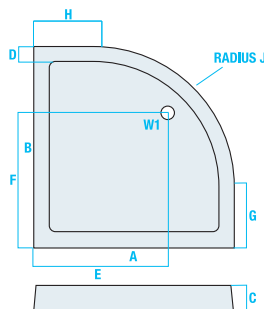
FLAT TOP EASY-PLUMB TRAY

Size mm	Code	Mat	Waste Position	Waste Size	A	B	C	D	E	F	G	H	J	Feet	Panels
800x800	2CK	ABS	W1	STD or 90	800	800	190	60	500	500	250	250	550	6	1
900x900	2CM	ABS	W1	STD or 90	900	900	190	60	600	600	350	350	550	6	1



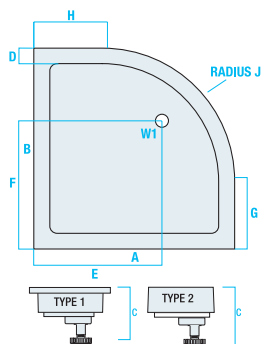
TILING UPSTAND TRAY

Size mm	Code	Mat	Waste Position	Waste Size	A	B	C	D	E	F	G	H	J	Ups
800x800	2BI	ABS	W1	STD	800	800	105	60	530	530	300	300	500	2
800x800	3YA	S/R	W1	STD	830	830	95	60	530	530	280	280	550	2
800x800	2BK	ABS	W1	STD	800	800	105	60	530	530	250	250	550	2
900x900	3ZA	S/R	W1	STD	930	930	95	60	630	630	380	380	550	2
900x900	2BM	ABS	W1	STD	900	900	105	60	635	635	350	350	550	2



EASY-PLUMB TRAY WITH TILING UPSTANDS

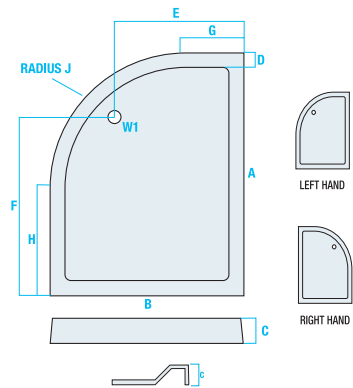
Size mm	Code	Mat	Waste Position	Waste Size	A	B	C	D	E	F	G	H	J	Ups	Feet	Type	Panels
800x800	7YA	S/R	W1	STD	830	830	190	60	530	530	280	280	550	2	6	2	1
800x800	2DK	ABS	W1	STD	800	800	200	60	530	530	250	250	550	2	6	2	1
900x900	7ZA	S/R	W1	STD	930	930	190	60	380	380	350	350	550	2	6	2	1
900x900	45N	ABS	W1	STD	900	900	216	50	630	630	350	350	550	2	6	1	1



OFFSET QUADRANT SHOWER TRAYS

TECHNICAL SPECIFICATIONS

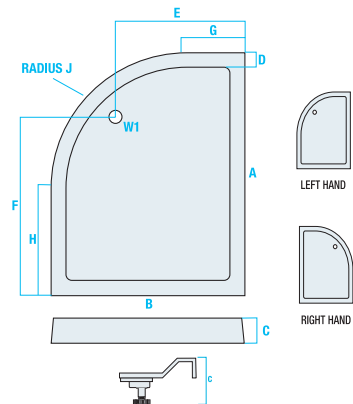
LOW PROFILE TRAY OFFSET



Size mm	Hand	Code	Mat	Waste Position	Waste Size	A	B	C	D	E	F	G	H	J
900x800	R/H	1CG	ABS	W1	90	906	806	45	65	480	600	256	356	550
900x800	L/H	1CI	ABS	W1	90	906	806	45	65	480	600	256	356	550
1000x800	R/H	1CK	ABS	W1	90	1006	806	45	65	500	700	256	456	550
1000x800	L/H	1CM	ABS	W1	90	1006	806	45	65	500	700	256	356	550
1200x800	R/H	1CO	ABS	W1	90	1206	806	45	65	500	900	256	656	550
1200x800	L/H	1CQ	ABS	W1	90	1206	806	45	65	500	900	256	656	550
1200x900	R/H	1CS	ABS	W1	90	1206	906	45	65	590	890	356	656	550
1200x900	L/H	1CU	ABS	W1	90	1206	906	45	65	590	890	356	656	550



LOW PROFILE EASY-PLUMB TRAY OFFSET



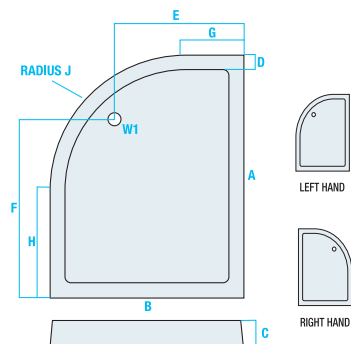
Size mm	Hand	Code	Mat	Waste Position	Waste Size	A	B	C	D	E	F	G	H	J	Feet	Panels
900x800	R/H	1CH	ABS	W1	90	906	806	140	60	480	600	256	356	550	6	1
900x800	L/H	1CJ	ABS	W1	90	906	806	140	65	480	600	256	356	550	6	1
1000x800	R/H	1CL	ABS	W1	90	1006	806	140	65	500	700	256	456	550	6	1
1000x800	L/H	1CN	ABS	W1	90	1006	806	140	65	500	700	256	456	550	6	1
1200x800	R/H	1CP	ABS	W1	90	1206	806	140	65	500	900	256	656	550	6	1
1200x800	L/H	1CR	ABS	W1	90	1206	806	140	65	500	800	256	656	550	6	1
1200x900	R/H	1CT	ABS	W1	90	1206	906	140	64	590	890	356	656	550	6	1
1200x900	L/H	1CV	ABS	W1	90	1206	906	140	65	590	890	356	656	550	6	1



OFFSET QUADRANT SHOWER TRAYS

TECHNICAL SPECIFICATIONS

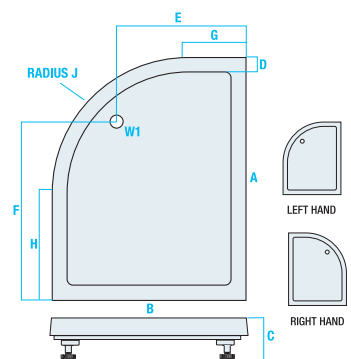
FLAT TOP TRAY OFFSET



Size mm	Hand	Code	Mat	Waste Position	Waste Size	A	B	C	D	E	F	G	H	J
900x750	L/H	61A	S/R	W1	STD	900	750	100	40	510	660	292	442	458
900x750	R/H	6HA	S/R	W1	STD	900	750	100	40	510	660	292	442	458
900x760	L/H	7PA	S/R	W1	STD	900	760	110	60	470	600	210	350	550
900x760	R/H	7SA	S/R	W1	STD	900	760	110	60	470	600	210	350	550
900x800	L/H	6KA	S/R	W1	STD	900	800	100	60	530	630	250	350	550
900x800	R/H	6JA	S/R	W1	STD	900	800	100	60	530	630	250	350	550
1000x800	L/H	71F	S/R	W1	STD	1000	800	110	60	540	730	300	500	500
1000x800	R/H	71E	S/R	W1	STD	1000	800	110	60	540	730	300	500	500
1000x800	L/H	6MA	S/R	W1	STD	1000	800	110	60	530	730	250	450	550
1000x800	R/H	6LA	S/R	W1	STD	1000	800	110	60	530	730	250	450	550
1200x800	L/H	71G	S/R	W1	STD	1200	800	110	60	530	930	300	700	500
1200x800	R/H	71H	S/R	W1	STD	1200	800	110	60	530	930	300	700	500
1200x800	L/H	60A	S/R	W1	STD	1200	800	100	60	530	930	250	650	550
1200x800	R/H	6NA	S/R	W1	STD	1200	800	100	60	530	930	250	650	550
1200x900	L/H	60A	S/R	W1	STD	1200	900	100	60	630	930	350	650	550
1200x900	R/H	6PA	S/R	W1	STD	1200	900	100	60	630	930	350	650	550
1200x900	L/H	67A	S/R	W1	90	1200	900	100	60	630	930	350	650	550
1200x900	R/H	66A	S/R	W1	90	1200	900	100	60	630	930	350	650	550



FLAT TOP EASY-PLUMB TRAY OFFSET



Size mm	Hand	Code	Mat	Waste Position	Waste Size	A	B	C	D	E	F	G	H	J	Feet	Panels
900x760	L/H	7PR	S/R	W1	STD	900	760	205	60	470	600	210	350	550	6	1
900x760	R/H	7SR	S/R	W1	STD	900	760	205	60	470	600	210	350	550	6	1
900x800	L/H	6KR	S/R	W1	STD	900	800	195	60	530	630	250	350	550	6	1
900x800	R/H	6JR	S/R	W1	STD	900	800	195	60	530	630	250	350	550	6	1
1000x800	L/H	6MR	S/R	W1	STD	1000	800	205	60	530	730	250	450	550	6	1
1000x800	R/H	6LR	S/R	W1	STD	1000	800	205	60	530	730	250	450	550	6	1
1200x800	L/H	60R	S/R	W1	STD	1200	800	195	60	530	930	250	650	550	6	1
1200x800	R/H	6NR	S/R	W1	STD	1200	800	195	60	530	930	250	650	550	6	1
1200x900	L/H	60R	S/R	W1	STD	1200	900	195	60	630	930	350	650	550	6	1
1200x900	R/H	6PR	S/R	W1	STD	1200	900	195	60	630	930	350	650	550	6	1
1200x900	L/H	67R	S/R	W1	90	1200	900	195	60	630	930	350	650	550	6	1
1200x900	R/H	66R	S/R	W1	90	1200	900	195	60	630	930	350	650	550	6	1

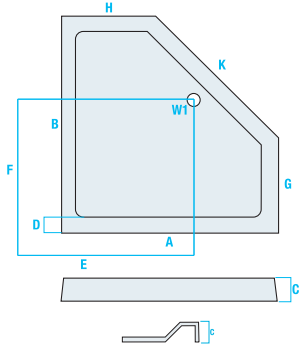


PENTANGLE SHOWER TRAYS

TECHNICAL SPECIFICATIONS

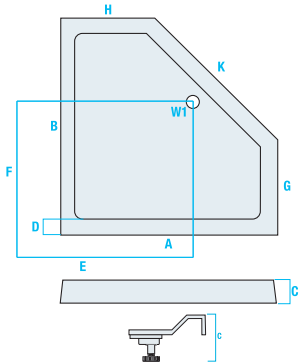
LOW PROFILE FLAT TOP TRAY

Size mm	Code	Mat	Waste Position	Waste Size	A	B	C	D	E	F	G	H	K
900x900	1CW	ABS	W1	90	906	906	45	45	510	510	406	406	700



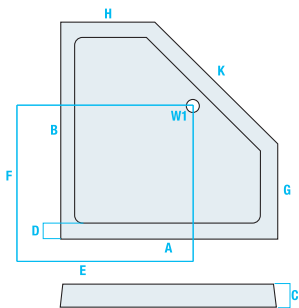
LOW PROFILE EASY PLUMB TRAY

Size mm	Code	Mat	Waste Position	Waste Size	A	B	C	D	E	F	G	H	K	Feet	Panels
900x900	1CX	ABS	W1	90	906	906	140	65	510	510	406	406	700	6	1



FLAT TOP TRAY

Size mm	Code	Mat	Waste Position	Waste Size	A	B	C	D	E	F	G	H	K
900x900	61A	S/R	W1	STD	900	900	110	40	530	530	400	400	700
900x900	52A	S/R	W1	STD	900	900	110	60	520	530	400	400	700
900x900	1AW	ABS	W1	STD or 90	900	900	95	60	510	510	400	400	700
950x950	53A	S/R	W1	STD	945	945	110	60	550	550	430	430	725
1000x1000	64A	S/R	W1	STD	1000	1000	95	40	630	630	500	500	700
1000x1000	56A	S/R	W1	STD	1000	1000	110	60	610	610	470	470	755

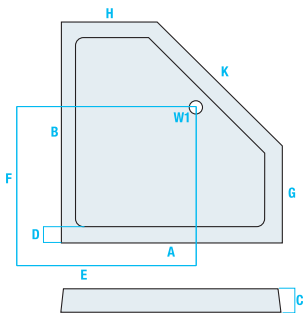


PENTANGLE SHOWER TRAYS

TECHNICAL SPECIFICATIONS

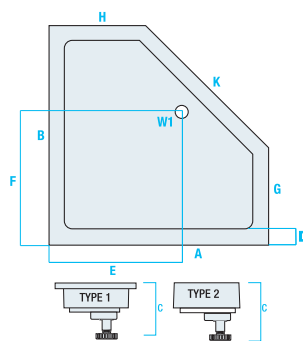
TILING UPSTAND TRAY

Size mm	Code	Mat	Waste Position	Waste Size	A	B	C	D	E	F	G	H	K	Ups
900x900	3FA	S/R	W1	STD	915	915	95	50	530	530	415	415	700	5



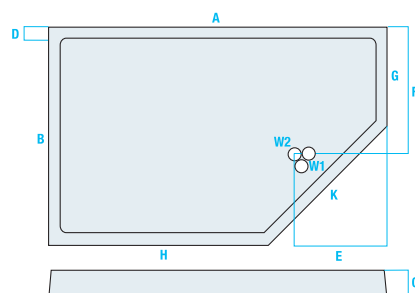
EASY-PLUMB TRAY WITH TILING UPSTANDS

Size mm	Code	Mat	Waste Position	Waste Size	A	B	C	D	E	F	G	H	K	Ups	Feet	Type	Panels
900x900	6FA	S/R	W1	STD	915	915	190	50	530	530	415	415	700	5	6	2	3

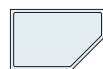


FLAT TOP TRAY OFFSET

Size mm	Hand	Code	Mat	Waste Position	Waste Size	A	B	C	D	E	F	G	H	K
1200x900	L/H	54A	S/R	W2	STD	1200	900	110	60	380	525	400	700	700
1200x900	R/H	55A	S/R	W2	STD	1200	900	110	60	380	525	400	700	700
1400x900	L/H	5WA	S/R	W1	STD TWIN	1400	900	110	60	385	520	400	900	700
1400x900	R/H	5VA	S/R	W1	STD TWIN	1400	900	110	60	385	520	400	900	700



LEFT HAND



RIGHT HAND

